

This information is given as an indication. In the continual goal to improve our products, we reserve the right to make any modifications judged necessary



**RADIALL®**  
MicroWave components

TECHNICAL DATA SHEET

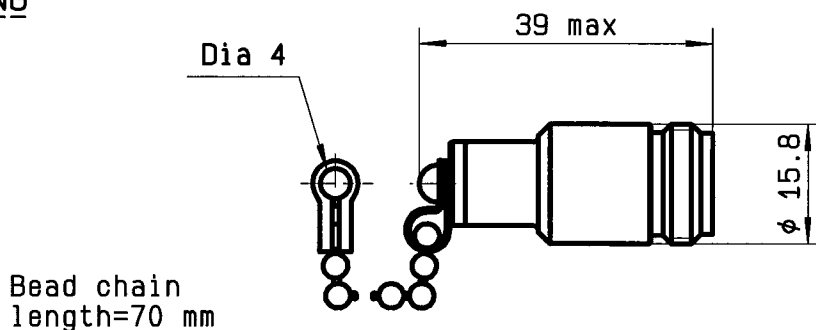
**R404.132.000**

**1 W DC- 4 GHz N/female COAXIAL TERMINATION**

issue  
09/07/03

Page  
1 / 1

DRAWING



General tolerances: +/- 0.5 mm

ELECTRICAL CHARACTERISTICS

FREQUENCY RANGE	: DC - 4GHz
IMPEDANCE	: 50 Ohms
DC RESISTANCE	: 50 Ohms ± 2 %
AVERAGE POWER HANDLING	: 1 W at 25°C
PEAK POWER HANDLING	: 500 W ( 1 μs, 1%.) at 25°C
V.S.W.R :	DC - 1 GHz : <= 1.08
	1 - 4 GHz : <= 1.20

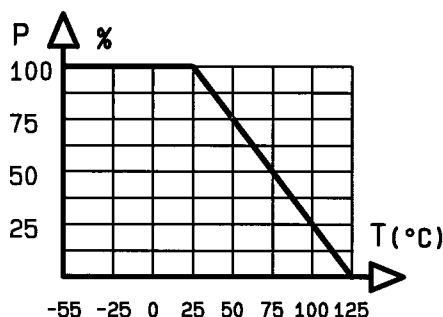
MECHANICAL CHARACTERISTICS

CONNECTOR	: N female per MIL C 39012
MAXIMUM WEIGHT	: 35 grams

ENVIRONMENTAL CHARACTERISTICS

OPERATING TEMPERATURE RANGE (°C)	: -55 , +125
STORAGE TEMPERATURE RANGE (°C)	: -55 , +125

Power derating  
Versus temperature



**CREATION**  
N° :  
PEN/EP:92504  
Name:PG  
Date:13.oct.92  
APP.:

09.jul.03  
28.jul.98  
**ISSUE**

Frequency range 2.5 GHz --> 4 GHz  
V.S.W.R 1.10 --> 1.08

**REVISIONS**

AF	FG
MG	AF
<b>NAME</b>	<b>APPR.</b>

**RADIALL®**  
101. rue P. Hoffmann -Z.I Ouest-  
93116 ROSNY/BOIS Cedex-FRANCE  
Phone:33(1)49353535  
Fax :33(1)48546363  
Twx RADIA 235220F